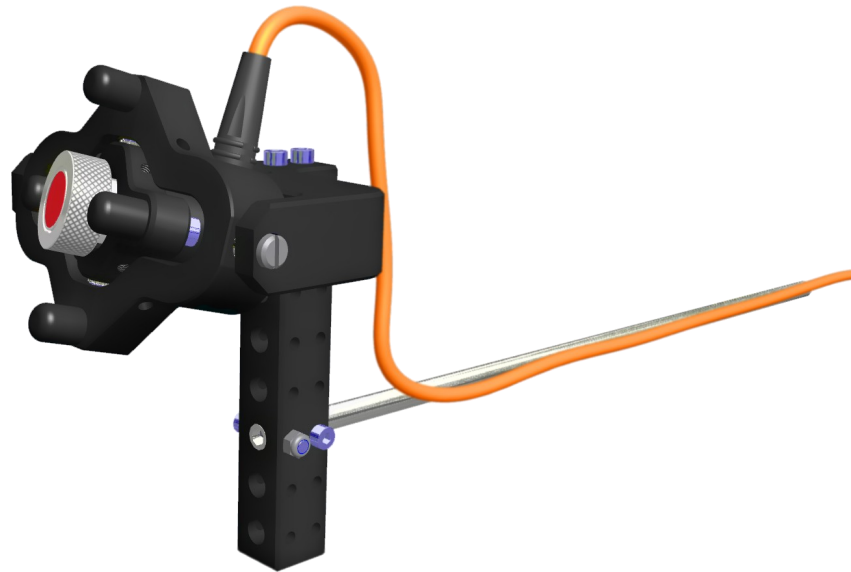


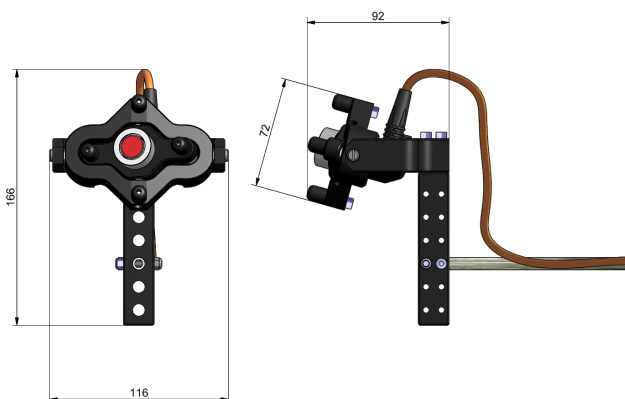
Cygnus G1

Observation, Inspection, Light work Class ROV Probe Handler



The Cygnus G1 Probe Handler is designed for use on Observation, Inspection and Light-work class ROVs. Constructed from acetal it is both strong and lightweight, it features an adjustable mounting bracket allowing optimum positioning of the UT probe. The UT probe is located in an articulated mount that allows up to 15 degrees of movement in both planes allowing automatic alignment of the probe face to the measurement surface making the ROV pilot's job easier.

Dimensions



Specifications

Size	92 x 116 x 166mm (3.6 x 4.6 x 6.5")
Weight in Air	0.3 Kg (0.66 lbs)
Depth Rating	2000 msw
Material	Acetal with 316 Stainless Steel Fixings
Probe Types	2.25 MHz 13mm with Membrane (3.5 MHz & 5MHz at special request)
Probe Cable	0.95 m Double Jacket Coaxial (other lengths at special request)
Warranty	3 Years
Warranty (Probe)	6 Months
Part Number	001-8351 G1 Probe Handler

Probe Options



Nosecone
for
MiniROV

MCIL2M
for
M5-ROV-2K
M5-ROV-4K

Part Numbers for Probes
001-8354 2.25 MHz Nosecone
001-8355 2.25 MHz MCIL2M

Ordering Information

When ordering the G1 Probe Handler you must order the appropriate Probe separately.

*Example. 001-8351 + 001-8355 =
G1 Probe Holder and Probe with MCIL2M Connection*